

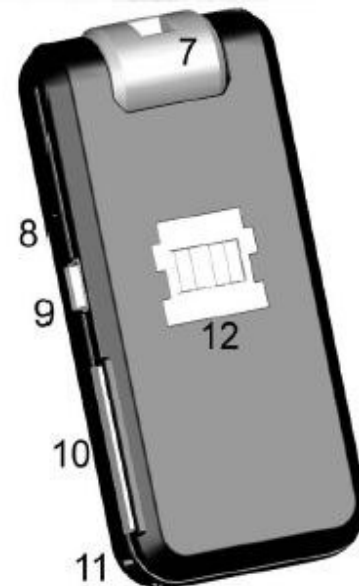
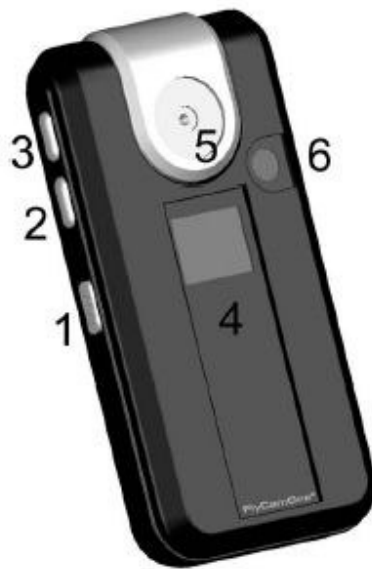
FlyCamOne²

Manual



Note! In order to protect battery life a always Power off after use!

V.2.0



Configuration

1. On/Off-switch
2. Shutter button
3. Mode Button
4. 2-Digit LCD display
5. Lens
6. Motion detector

Start

Remove the film protecting the lens first.
Put a suitable SD-Card (FCO² rapid rush 4.0 2GB) into the SD-Card slot of the FlyCamOne² (FCO²): Slide the switch [1] to position "ON" and press the shutter button [2]; on the display appears "P4" for ready. Choose your mode by pressing the mode button [3] Start and stop each time by pressing the shutter button [2].

Readout of data

Choose "PC" and connect the FCO² with the supplied USB-cable and your PC. The FCO² will be displayed as a single drive. Attend that network drives can interfere the FCO² drive. Cut the network drives. Of course you can connect the SD-card directly to your pc card reader.

Charge the FCO²

The charging starts on its own by connecting the FCO² with the PC. It will take approximately 3 hours to charge the FCO².

The Modes

Video recording [UP]

The recording takes place with 25 pictures per second (25 FPS) with 640x480 px and a consumption of storage of approx. 50 MB/min. Recording is indicated by running dots "⋯". FPS rate can be reduced by a dark or indoor environment.

Video low [UL]

Same as "VR", but within reduced resolution: 320x280 pix

Photo [PP]

The recording takes place with 1280x1024 px, one photo needs approx. 100 KB storage on the SD-card. The FCO² indicates the recording with a frame, [C].

Web Cam [WC]

Connection to the PC in webcam mode. Download the driver at first at

Delete [dL]

Deletes the last record, doesn't matter whether it was a video or photo.

Memory full [MF]

Records can't be made until data from the SD-card will be deleted.

Delete [dL]

Deletes the last record, doesn't matter whether it was a video or photo.

Assembling on a model aircraft

Make sure, that the FCO² keeps a sure position for precluding possible damages.

Make sure that the model gets enough uplift for carrying the FCO².

Fix the FCO² by the velcro-pad at the model aircraft. Let the FCO² snap and check the main emphasis

The Modes

Photo endless [PE]

With an interval of 4 seconds the FCO² takes pictures. The recording will be stopped by pressing the shutter button [2], or when the SD-card is full.

Spy video [SP]

The spy video mode allows the flexible room observation.

The integrated motion detector recognizes motions in its field of view by a thermal detector at a range of 5 m and an angle of 90° at a surrounding temperature of 25°C.

The recording will be activated as long as thermal sources are moving in the cameras field of view. When the storage of the SD-card is full, the recording will be stopped.

Mounting of the baseplate

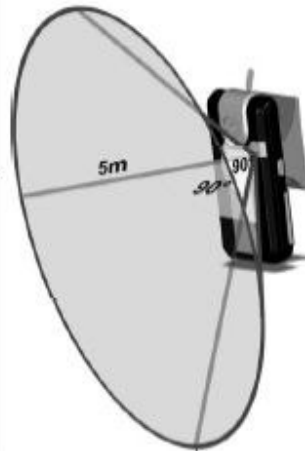
The FCO² baseplate can be fixed nearly everywhere by the supplied velcro-pad. The FCO² and the baseplate are ready for external power and triggering complies to the shutter button [2]. The contacts are located on the back of the FCO² and on FCO² baseplate as well. After fixing the baseplate, press the camera on it carefully and pull it, as imaged, a little bit to the back.

again.

The installation at a model aircraft enables records down and from there 90° stepless towards the front. With a free analog resp. proportional channel at your receiver the steering by a servo is possible. The triggering can take place by a free digital channel.

For some adaptations it's necessary to install the camera headfirst (for example on the top of a r/c car). The record can be turned around 180° by using the Microsoft® Movie Maker™.

Safe the camera against losing by putting the supplied brace through the eyelet.



The Modes

Spy-video endless [SE]

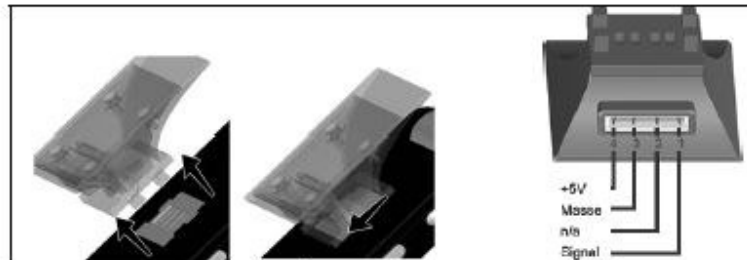
Recording as above – however the free storage (min. 200MB) of the SD-card is shared and the old part will be overwritten consecutively. The recording will be stopped not until the shutter button [2] gets pressed.

Spy video low [SL]

As "SR" with reduced resolution 320x280 pix.

Download and coevally charging [PL]

Connection to the PC in drive mode. FCO² will be charged coevally when connected – charging will take approximately 3 hours.



The FCO² baseplate is appointed with 4 contacts. Configuration as follows:
 1 Signal in
 2 n/a
 3 earth
 4 +5 V min. 350mAh

External Shutter Release

In all Video modes "VR", "VE", "VL", "SR", "SE", "SL" and in photo mode "PE" recording is running while pins 1 and 3 are connected and will stop when disconnected.

In photo mode "PR" only one photo will be shot when pin 1 and 3 are connected. Connecting again will shoot the next photo.

The shutter speed will not be changed due to longer connection!

Limited Warranty of Battery

The included Lipo battery's capacity is reduced due every discharge /charging circle and belongs to the wearing parts. Improper use storage and handling as well as wearing and consumption is not covered by the warranty.

Service:

ACME the game company
 Industriestr. 10A
 33397 Rietberg
 Germany
 Hotline: +49 700 70 77 77 00
service@ACME-online.de

Find your nearest Servicepoint also at
www.ACME-online.de/Service

Software update

Update your FlyCamOne² with new software from the Homepage. Find drivers, firmware and manuals at service/support on www.FlyCamOne.com.

Technical Data

Size:	40x80x14 mm
Weight:	37 g
Resolution video:	640x480 px
Resolution photo:	1280x1024 px
Motionsensor Range:	5m at 25°C
LCD Screen:	2-digits
Battery:	220 mAh LHPo
Focus:	0,3m-∞
SD-Card:	512MB- 2GB
USB:	1.1 Mini USB
Charge:	5 V / USB
FFS:	25
Functions:	Photo, video + audio, Web Cam, video endless, foto sequences, Spy-Video, external Chip Drive,